



Your everyday LEDspot MR16

Essential LEDspot MR16

Essential LEDspots MR16 are compatible with most existing fixtures with a GU5.3 socket and are designed as a retrofit replacement for halogen spots. Essential LEDspots MR16 deliver significant energy savings and minimize initial investment.

Benefits

- Up to 90% energy saving compared with traditional halogen lamps
- Lower maintenance costs
- Low initial investment

Features

- Easy retrofit
- Lifetime up to 15,000 hours
- Non-dimmable
- UV- and IR-free light

Application

- Hotels, restaurants, bars, cafés, shops
- Lobbies, corridors, stairwells, washrooms, reception areas

Essential LEDspot MR16

Versions

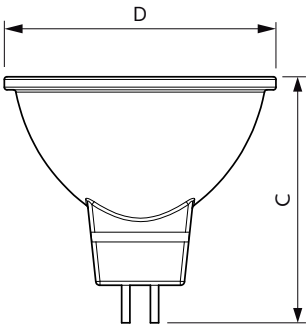


GU5.3 2inch/50mm



GU5.3 2inch/50mm

Dimensional drawing



Product	D	C
Essential LED 5-50W 6500K MR16 24D	50 mm	46 mm
Essential LED 5-50W 2700K MR16 24D	50 mm	46 mm
ESS LED MR16 4.5-50W 36D 865 SO 100-240V	50.5 mm	46.5 mm
ESS LED MR16 4.5-50W 36D 830 SO 100-240V	50.5 mm	46.5 mm
ESS LED MR16 3-35W 36D 830 SO 100-240V	50.5 mm	46.5 mm

Controls and dimming

Dimmable	No
----------	----

Operating and electrical

Starting Time (Nom)	0.5 s
---------------------	-------

General information

Cap-Base	GU5.3
Nominal Lifetime (Nom)	15000 h
Switching Cycle	50000X

Light technical

Color Rendering Index (Nom)	80
Llmf At End Of Nominal Lifetime (Nom)	70 %

Mechanical and housing

Bulb Shape	MR16
------------	------

Approval and application

Order Code	Full Product Name	Energy Consumption kWh/1000 h
929001240108	Essential LED 5-50W 2700K MR16 24D	- kWh
929001240208	Essential LED 5-50W 6500K MR16 24D	- kWh
929001874008	ESS LED MR16 4.5-50W 36D 830 SO 100-240V	4.5 kWh
929001874112	ESS LED MR16 4.5-50W 36D 865 SO 100-240V	- kWh
929001874208	ESS LED MR16 3-35W 36D 830 SO 100-240V	3 kWh

Operating and electrical

Essential LEDspot MR16

Order Code	Full Product Name	Input Frequency	Voltage (Nom)	Wattage Equivalent	Power (Nom)
929001240108	Essential LED 5-50W 2700K MR16 24D	- Hz	12 V	50 W	5 W
929001240208	Essential LED 5-50W 6500K MR16 24D	- Hz	12 V	50 W	5 W
929001874008	ESS LED MR16 4.5-50W 36D 830 SO 100-240V	50 to 60 Hz	100-240 V	50 W	4.5 W

Order Code	Full Product Name	Input Frequency	Voltage (Nom)	Wattage Equivalent	Power (Nom)
929001874112	ESS LED MR16 4.5-50W 36D 865 SO 100-240V	50 to 60 Hz	100-240 V	50 W	4.5 W
929001874208	ESS LED MR16 3-35W 36D 830 SO 100-240V	50 to 60 Hz	100-240 V	35 W	3 W

Light technical (1/2)

Order Code	Full Product Name	Beam Angle (Nom)	Correlated Color		
			Color Code	Temperature (Nom)	Luminous Flux (Nom)
929001240108	Essential LED 5-50W 2700K MR16 24D	24 °	827	2700 K	400 lm
929001240208	Essential LED 5-50W 6500K MR16 24D	24 °	865	6500 K	435 lm
929001874008	ESS LED MR16 4.5-50W 36D 830 SO 100-240V	36 °	830	3000 K	400 lm

Order Code	Full Product Name	Beam Angle (Nom)	Correlated Color		
			Color Code	Temperature (Nom)	Luminous Flux (Nom)
929001874112	ESS LED MR16 4.5-50W 36D 865 SO 100-240V	36 °	865	6500 K	400 lm
929001874208	ESS LED MR16 3-35W 36D 830 SO 100-240V	36 °	830	3000 K	230 lm

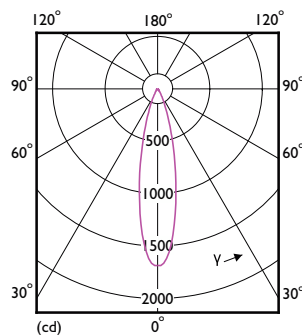
Light technical (2/2)

Order Code	Full Product Name	Luminous Intensity (Nom)
929001240108	Essential LED 5-50W 2700K MR16 24D	1700 cd
929001240208	Essential LED 5-50W 6500K MR16 24D	1700 cd
929001874008	ESS LED MR16 4.5-50W 36D 830 SO 100-240V	700 cd

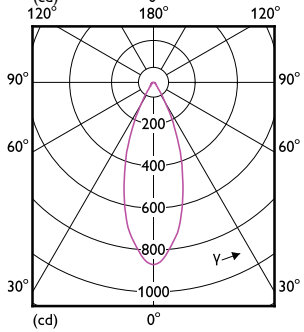
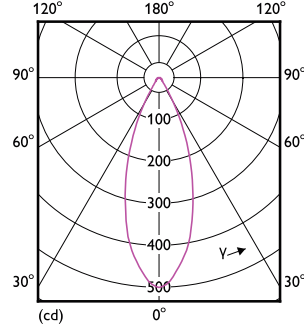
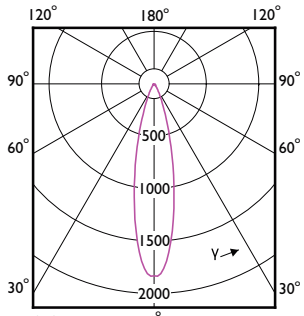
Order Code	Full Product Name	Luminous Intensity (Nom)
929001874112	ESS LED MR16 4.5-50W 36D 865 SO 100-240V	700 cd
929001874208	ESS LED MR16 3-35W 36D 830 SO 100-240V	550 cd

Temperature

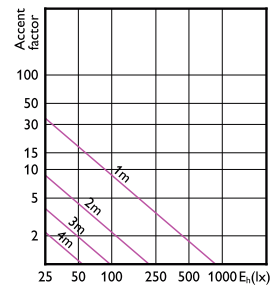
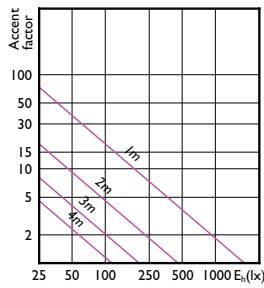
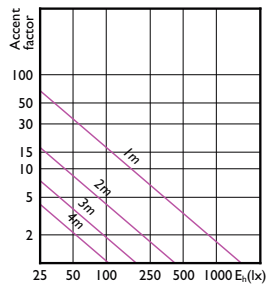
Order Code	Full Product Name	T-Case Maximum (Nom)
929001240108	Essential LED 5-50W 2700K MR16 24D	76 °C
929001240208	Essential LED 5-50W 6500K MR16 24D	76 °C
929001874008	ESS LED MR16 4.5-50W 36D 830 SO 100-240V	65 °C
929001874112	ESS LED MR16 4.5-50W 36D 865 SO 100-240V	65 °C
929001874208	ESS LED MR16 3-35W 36D 830 SO 100-240V	55 °C



Essential LEDspot MR16



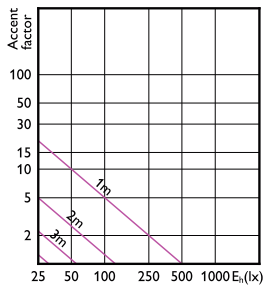
Accent Diagrams



Accent Diagram

Accent Diagram

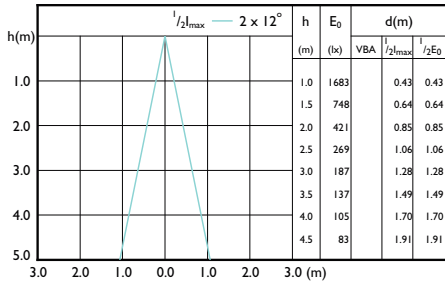
50W GU5-3 MR16 36D 830 3000K



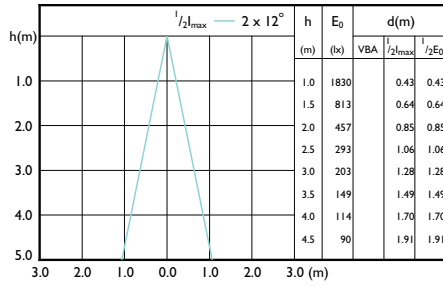
3-35W GU5-3 MR16 36D 865 6500K

Essential LEDspot MR16

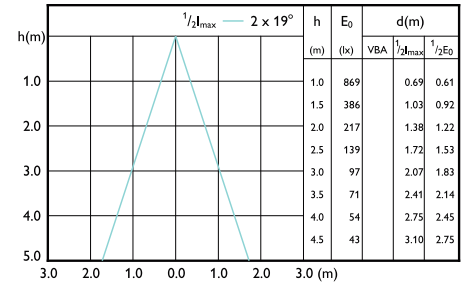
Beam Diagrams



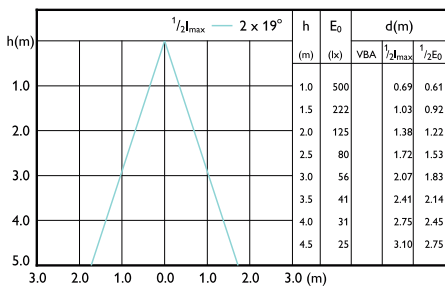
Beam Diagram



Beam Diagram



50W GU5-3 MR16 36D 830 3000K



3-35W GU5-3 MR16 36D 865 6500K

