

# HF-Regulator II for PL-T/C

## HF-R 1 26-42 PL-T/C EII 220-240V 50/60Hz

Compact, high-frequency electronic dimming ballast, using the analog protocol (1-10 V) for PL-T, PL-C and PL-R lamps. The ballast is primarily designed for Indoor application. For outdoor application, the luminaire should be minimum Class II need to be sufficiently protected against water & dust. The installation should also be guard against any lightning surge or any other necessary electrical protection as deemed in such typical installation & application.

### Product data

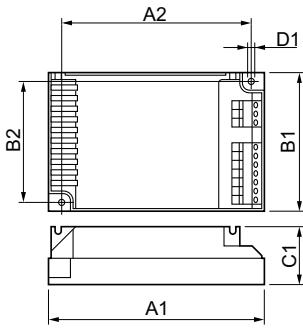
Operating and Electrical		Controls and Dimming	
Line Frequency	50 to 60 Hz	Control Interface	1-10V
Input Frequency	50 to 60 Hz		
Input Voltage	220 to 240 V	Mechanical and Housing	
Earth Leakage Current (Max)	0.5 mA	Housing	S 123x79x33
Inrush Current Width	0.35 ms		
Inrush Current Peak (Max)	27 A	Approval and Application	
Number of Products on MCB (16A Type B) (Nom)	28	Ingress protection code	IP20 [Finger-protected]
		Energy Efficiency Index	A1 BAT
		Safety Standard	IEC 61347-2-3
		Environmental Standard	ISO 14001
		Approval Marks	CE marking ENEC certificate VDE-EMV certificate
Wiring		Product Data	
Connector Type Input Terminals	Insert	Full product code	872790080971800
Connector Type Output Terminals	Insert	Order product name	HF-R 1 26-42 PL-T/C EII 220-240V 50/60Hz
		Order code	913700626666
Temperature			
Ambient temperature range	-20 °C to 50 °C		
T-Case Lifetime (Nom)	65 °C		
T-Case Maximum (Max)	75 °C		

# HF-Regulator II for PL-T/C

Numerator - Quantity Per Pack	1
Numerator - Packs per outer box	12
Material Nr. (12NC)	913700626666
Full product name	HF-R 1 26-42 PL-T/C EII 220-240V 50/60Hz

EAN/UPC - Case	8727900809718
----------------	---------------

## Dimensional drawing



Product	D1	C1	A1	A2	B1	B2
HF-R 1 26-42 PL-T/C EII 220-240V 50/60Hz	4.5 mm	33.0 mm	123.0 mm	111.0 mm	79.0 mm	67.0 mm

