

Electronic transformers

ET-E 10 220-240V

A high frequency electronic transformer for operation with 12V halogen lamps. It is fully IEC compliant with unique compact size and light weight

Warnings and Safety

- Transformer is not suitable for DC operation

Product data

General Information	
Type Version	-
Lamp Type	-
Automatic Restart	Yes
Operating and Electrical	
Input Voltage	220 to 240 V
Input Frequency	50 to 60 Hz
Power Factor 100% Load (Nom)	0.94
Mains Voltage Performance (AC)	202...254V
Mains Voltage Safety (AC)	198...264V
Inrush Current Width	0.10 ms
Power Losses (Nom)	1 W
Inrush Current Peak (Max)	15 A
Output Voltage	- V
Wiring	
Cable Capacity Wires Device to Lamp (Max)	120 nF
Cable Length From Device to Lamp	1.5 m

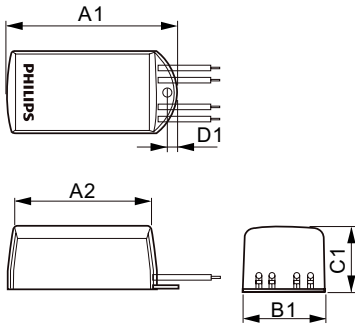
Wire Striplength	8.0-9.0 mm
System characteristics	
Rated Ballast-Lamp Power	10 W
Temperature	
T-Ambient (Max)	50 °C
T-Ambient (Min)	-20 °C
T-Storage (Max)	50 °C
T-Storage (Min)	-40 °C
T-Case Maximum (Max)	65 °C
Approval and Application	
Hum And Noise Level	< 30 dB(A)
Product Data	
Full product code	697013372907600
Order product name	ET-E 10 220-240V
EAN/UPC - Product	6970133729076
Order code	913710032179

Electronic transformers

Numerator - Quantity Per Pack	1
Numerator - Packs per outer box	48
Material Nr. (12NC)	913710032179

Net Weight (Piece)	0.040 kg
--------------------	----------

Dimensional drawing



Product	D1	C1	A1	B1
ET-E 10 220-240V	4.4 mm	24.5 mm	76.0 mm	38.0 mm

ET-E 10 LED 220-240V 50/60Hz

