



MASTERColour CDM-TD



MASTERColour CDM-TD 150W/942 RX7s 1CT

Range of double-ended, compact, high-efficiency, discharge lamps with a stable color over lifetime and a crisp, sparkling light

Warnings and Safety

- Use only in totally enclosed luminaire, even during testing (IEC61167, IEC 62035, IEC60598)
- The luminaire must be able to contain hot lamp parts if the lamp ruptures
- Lamps may use electronic or electromagnetic control gear
- Control gear must include end-of-life protection (IEC61167, IEC 62035)
- A lamp breaking is extremely unlikely to have any impact on your health. If a lamp breaks, ventilate the room for 30 minutes and remove the parts, preferably with gloves. Put them in a sealed plastic bag and take it to your local waste facilities for recycling. Do not use a vacuum cleaner.

Product data

General Information	
Cap-Base	RX7S [RX7s]
Operating Position	P45 [Parallel +/-45D or Horizontal(HOR)]
Life to 5% Failures (Nom)	9000 h
Life To 10% Failures (Nom)	13000 h
Life to 20% Failures (Nom)	15000 h
Life to 50% Failures (Nom)	16000 h
ANSI Code HID	M142/E
Flux measurement reference	Sphere

Light Technical	
Color Code	942 [CCT of 4200K]
Luminous Flux (Nom)	13650 lm
Luminous Flux (Rated) (Nom)	13650 lm

Color Designation	Cool White (CW)
Lumen Maintenance 10000 h (Nom)	70 %
Lumen Maintenance 2000 h (Min)	80 %
Lumen Maintenance 2000 h (Nom)	90 %
Lumen Maintenance 5000 h (Min)	75 %
Lumen Maintenance 5000 h (Nom)	85 %
Chromaticity Coordinate X (Nom)	0.371
Chromaticity Coordinate Y (Nom)	0.366
Correlated Color Temperature (Nom)	4200 K
Luminous Efficacy (rated) (Nom)	90 lm/W
Color Rendering Index (Nom)	96

Operating and Electrical	
Power (Nom)	152.0 W

MASTERCoulour CDM-TD

Lamp Current Run-Up (Max)	2.5 A
Lamp Current (EM) (Nom)	1.8 A
Ignition Supply Voltage (Max)	198 V
Ignition Peak Voltage (Max)	5000 V
Ignition Supply Voltage (Min)	198 V
Re-Ignition Time (Min) (Max)	15 min
Ignition Time (Max)	30 s
Voltage (Max)	110 V
Voltage (Min)	96 V
Voltage (Nom)	103 V

Controls and Dimming

Dimmable	No
Run-Up Time 90% (Max)	3 min

Mechanical and Housing

Bulb Finish	Clear
Bulb Shape	T22 [T 22mm]

Approval and Application

Energy Efficiency Class	G
Mercury (Hg) Content (Max)	8.3 mg
Mercury (Hg) Content (Nom)	8.29 mg

Energy Consumption kWh/1000 h	152 kWh
EPREL Registration Number	473340

UV

Pet (Niosh) (Min)	8 h/500lx
Damage Factor D/fc (Max)	0.4

Luminaire Design Requirements

Bulb Temperature (Max)	650 °C
Pinch Temperature (Max)	300 °C

Product Data

Full product code	871150020025915
Order product name	MASTERCoulour CDM-TD 150W/942 RX7s 1CT
EAN/UPC - Product	8711500200259
Order code	928084805133
Numerator - Quantity Per Pack	1
Numerator - Packs per outer box	12
Material Nr. (12NC)	928084805133
Net Weight (Piece)	26.700 g
ILCOS Code	MD/UB-150/942-H-RX7s-25/135.4

Dimensional drawing

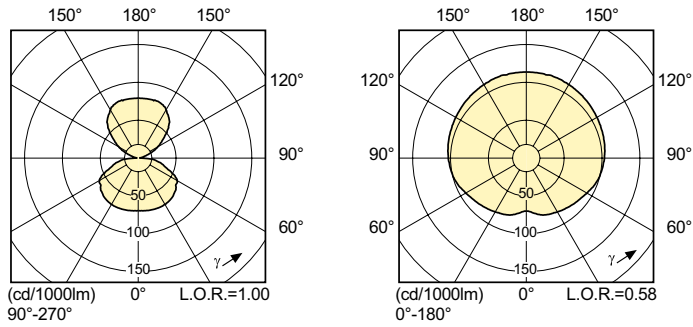


Product	D (max)	D O	C (max)
MASTERCoulour CDM-TD 150W/942 RX7s 1CT	22 mm	10 mm	137.43 mm

CDM-TD 150W/942 RX7s

MASTERCoulour CDM-TD

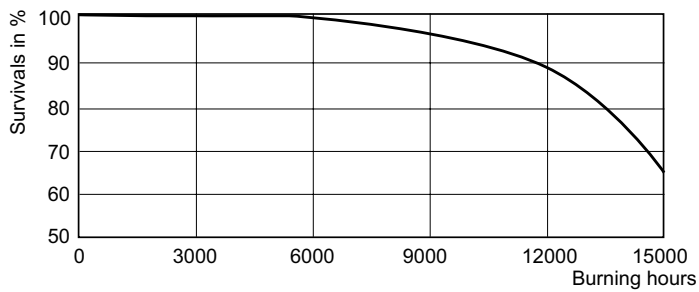
Photometric data



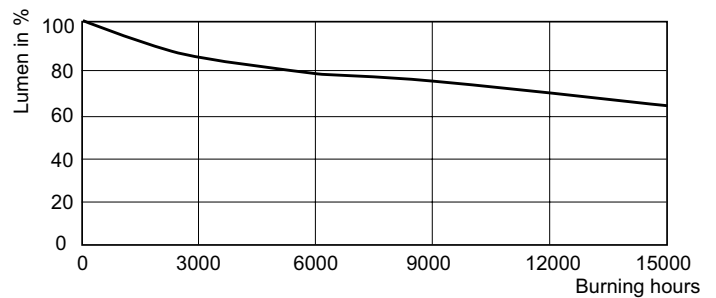
CDM-TD 150 W /942

MASTERColour CDM-TD /942

Lifetime



CDM-TD Life Expectancy



CDM-TD Lumen Maintenance

