



# MASTERColour CDM-Tm Mini PGJ5

## MASTERColour CDM-Tm Mini 20W/830 PGJ5 1CT/12

Mini, single-ended, high-efficiency Ceramic Metal Halide discharge lamp producing crisp white sparkling light

### Warnings and Safety

- Use only in totally enclosed luminaire, even during testing (IEC61167, IEC 62035, IEC60598)
- The luminaire must be able to contain hot lamp parts if the lamp ruptures
- Use only with electronic control gear
- Control gear must include end-of-life protection (IEC61167, IEC 62035)
- For 20W PGJ5 lamp, use only Philips electronic control gear HID PV mini PGJ5 20W
- For 35W PGJ5 lamp, use only Philips electronic control gear HID PV mini PGJ5 35W
- A lamp breaking is extremely unlikely to have any impact on your health. If a lamp breaks, ventilate the room for 30 minutes and remove the parts, preferably with gloves. Put them in a sealed plastic bag and take it to your local waste facilities for recycling. Do not use a vacuum cleaner.

### Product data

General information	
Cap-Base	PGJ5 [ PGJ5]
Operating Position	UNIVERSAL [ Any or Universal (U)]
Life to 5% Failures (Nom)	9000 h
Life To 10% Failures (Nom)	10000 h
Life to 20% Failures (Nom)	11000 h
Life to 50% Failures (Nom)	12000 h
Flux measurement reference	Sphere

Light technical	
Color Code	830 [ CCT of 3000K]
Luminous Flux (Nom)	1600 lm
Luminous Flux (Rated) (Nom)	1600 lm
Color Designation	Warm White (WW)
Lumen Maintenance 1000 h (Nom)	80 %
Lumen Maintenance 10000 h (Nom)	60 %
Lumen Maintenance 2000 h (Nom)	75 %
Lumen Maintenance 5000 h (Nom)	65 %
Chromaticity Coordinate X (Nom)	0.434

# MASTERCcolour CDM-Tm Mini PGJ5

Chromaticity Coordinate Y (Nom)	0.398
Correlated Color Temperature (Nom)	3000 K
Luminous Efficacy (rated) (Nom)	72 lm/W
Color Rendering Index (Min)	84
Color Rendering Index (Nom)	87

## Operating and electrical

Power (Nom)	22.1 W
Lamp Current Run-Up (Max)	.5 A
Re-Ignition Time (Min) (Max)	15 min
Ignition Time (Max)	30 s
Voltage (Max)	108 V
Voltage (Min)	95 V
Voltage (Nom)	100 V

## Controls and dimming

Dimmable	No
Run-Up Time 90% (Max)	3 min

## Mechanical and housing

Bulb Finish	Clear
Bulb Shape	T13.3

## Approval and application

Energy Efficiency Class	G
Mercury (Hg) Content (Max)	2.4 mg

Mercury (Hg) Content (Nom)	2.4 mg
Energy Consumption kWh/1000 h	23 kWh
EPREL Registration Number	473347

## UV

Pet (Niosh) (Min)	8 h/500lx
Damage Factor D/fc (Max)	0.5

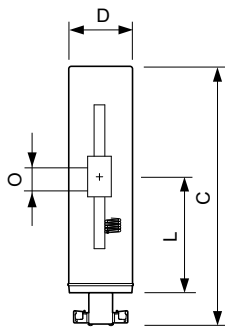
## Luminaire design requirements

Bulb Temperature (Max)	380 °C
Cap-Base Temperature (Max)	250 °C

## Product data

Full product code	871150020751715
Order product name	MASTERCcolour CDM-Tm Mini 20W/830 PGJ5 1CT/12
EAN/UPC - Product	8711500207517
Order code	928087905130
Numerator - Quantity Per Pack	1
Numerator - Packs per outer box	12
Material Nr. (12NC)	928087905130
Copy Net Weight (Piece)	0.005 kg
ILCOS Code	MT/UB-20/830-H/L-PGJ5-13.3/52

## Dimensional drawing

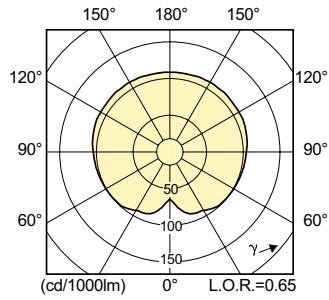
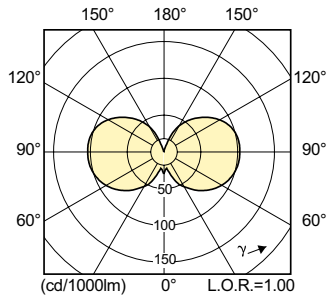


MASTERColour CDM-Tm Mini 20W/830 PGJ5 1CT/12

Product	D (max)	D	O	L (min)	L (max)	L	C (max)
MASTERColour CDM-Tm Mini 20W/830 PGJ5 1CT/12	13.2 mm	0.44 in	3 mm	22.3 mm	22.9 mm	22.6 mm	52 mm

# MASTERC colour CDM-Tm Mini PGJ5

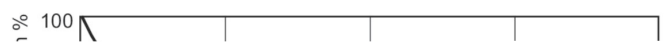
## Photometric data



CDM-Tm 20W /830 PGJ5

MASTERC colour CDM-Tm Mini /830 & /930

## Lifetime



CDM-Tm Elite 20W Life Expectancy /830 PGJ5

CDM-Tm Elite 20W Lumen Maintenance /830 PGJ5

