



# CorePro LEDspot AR111

## CorePro LEDspot 10-75W 830 AR111 40D

CorePro LEDspot AR111 are a perfect fit for spot lighting and deliver warm halogen-like light. They are compatible with most existing fixtures with a G53 base and are designed as a retrofit replacement for halogen spots. CorePro LEDspot AR111 deliver significant energy savings and minimize maintenance cost.

### Product data

General information	
Cap-Base	G53 [ G53]
EU RoHS compliant	Yes
Nominal Lifetime (Nom)	15000 h
Switching Cycle	50000X
Flux measurement reference	Narrow Cone
Light technical	
Color Code	830 [ CCT of 3000K]
Beam Angle (Nom)	40 °
Luminous Flux (Nom)	800 lm
Luminous Intensity (Nom)	1700 cd
Color Designation	White (WH)
Correlated Color Temperature (Nom)	3000 K
Luminous Efficacy (rated) (Nom)	80.00 lm/W
Color Consistency	<6
Color Rendering Index (Nom)	>80
LLMF At End Of Nominal Lifetime (Nom)	70 %
Luminous Flux in 90° Cone (Rated)	800 lm

Operating and electrical	
Input Frequency	- Hz
Power (Nom)	10 W
Lamp Current (Nom)	920 mA
Wattage Equivalent	75 W
Starting Time (Nom)	0.5 s
Warm Up Time to 60% Light (Nom)	1 s
Power Factor (Nom)	0.7
Voltage (Nom)	ac electronic 12 V
Temperature	
T-Case Maximum (Nom)	70 °C
Controls and dimming	
Dimmable	No
Mechanical and housing	
Bulb Finish	Clear
Bulb Shape	AR111

# CorePro LEDspot AR111

## Approval and application

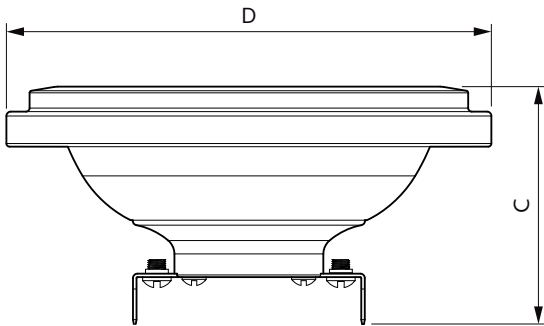
Energy Efficiency Class	F
Suitable For Accent Lighting	Yes
Energy Consumption kWh/1000 h	10 kWh
EPREL Registration Number	491862

## Product data

Full product code	871951430534200
Order product name	CorePro LEDspot 10-75W 830 AR111 40D

EAN/UPC - Product	8719514305342
Order code	929002965102
Numerator - Quantity Per Pack	1
Numerator - Packs per outer box	6
Material Nr. (12NC)	929002965102
Copy Net Weight (Piece)	0.160 kg

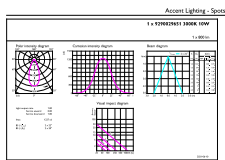
## Dimensional drawing



CorePro LEDspot 10-75W 830 AR111 40D

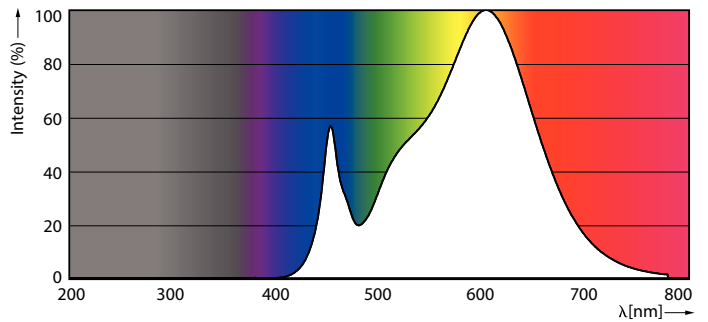
Product	D	C
CorePro LEDspot 10-75W 830 AR111 40D	110.7 mm	55 mm

## Photometric data



© 2022 Philips Lighting B.V. Page 11

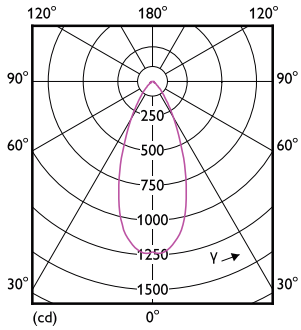
LEDspots\_Corepro\_10W\_AR111\_G53\_830\_40D ADL ADL



LEDspots\_Corepro\_10W\_AR111\_G53\_830\_40D POC POC

# CorePro LEDspot AR111

## Photometric data



LEDspots\_Corepro\_10W\_AR111\_G53\_830\_40D LDD LDD

## Lifetime



Life Expectancy Diagram



Lumen Maintenance Diagram

